

556

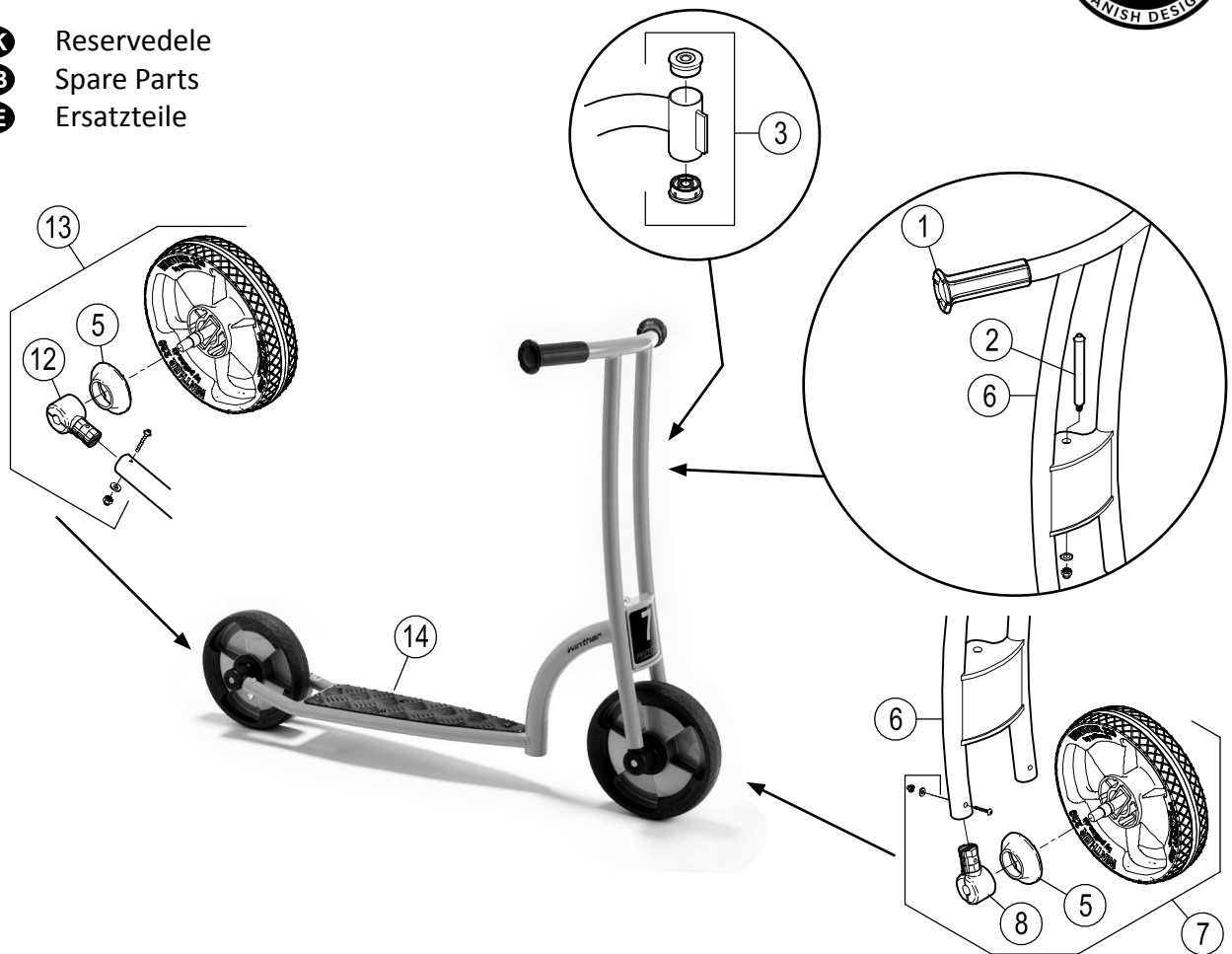


EN 71

ASTM F963



- DK** Reservedele
- GB** Spare Parts
- DE** Ersatzteile



Pos.		Pos.	
1	x2 x2	8	x2 x2 x2 x1
2	x1 x2 x1 x1 x1	9	
3	x2	10	
4		11	
5	x2	12	x2 x2 x2 x2 x1
6		7	
13		14	

556

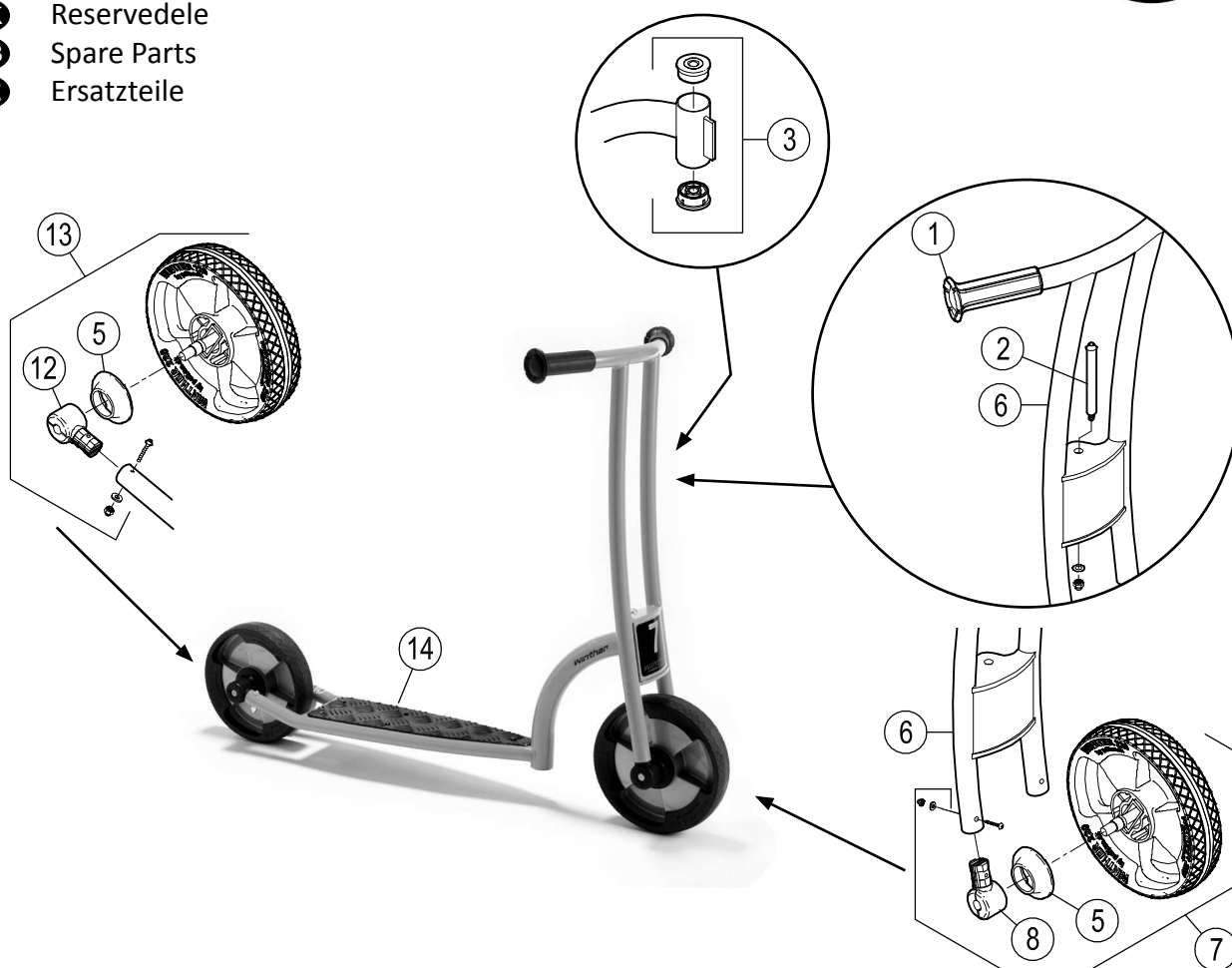


EN 71

ASTM F963



- DK** Reservedele
- GB** Spare Parts
- DE** Ersatzteile



		556.00			
		Version			
Pos.	1.0	1.1			
1	50417	50417			
2	50401	50401			
3	50404	50404			
4	-	-			
5	50405	50405			
6	50454	50454			
7	50463	50463			
8	50406	50406			
9	-	-			
10	-	-			
11	-	-			
12	50407	50407			
13	50473	50473			
14	50486	50486			
15	-	-			
16	-	-			
17	-	-			
18	-	-			

